

MH3218-D8/8

Premium 18 Gauge 304 Stainless Steel Double Bowl Undermount Sink



Model: MH3218-D8/8

Dimensions

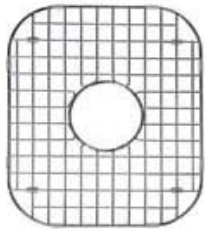
- Overall Size: 30" x 17 3/4"
- Left Bowl Size: 13-1/2" x 15-3/4" x 8-3/4"D
- Right Bowl Size: 13-1/2" x 15-3/4" x 8-3/4"D
- Drain Opening: 3 1/2"

Optional Accessories

- Sink Grid: BG-16SM (fits both sides)
- Sink Strainer
- Stainless Steel Sink Cleaner

Features

- 18 gauge 304 stainless steel
- Proprietary V-Therm Shield™
- Provides superior sound deadening and thermal retention.
- High luster satin finish
- Stain and corrosion resistant
- Bulk Packs Available (4 Pieces Per Pack)



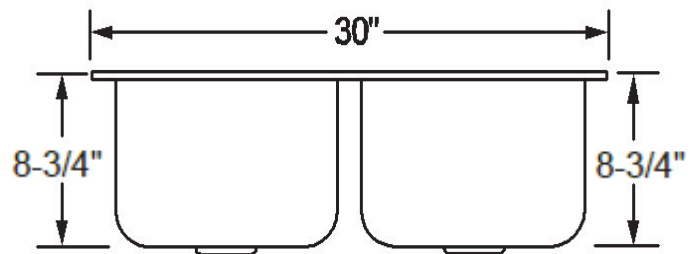
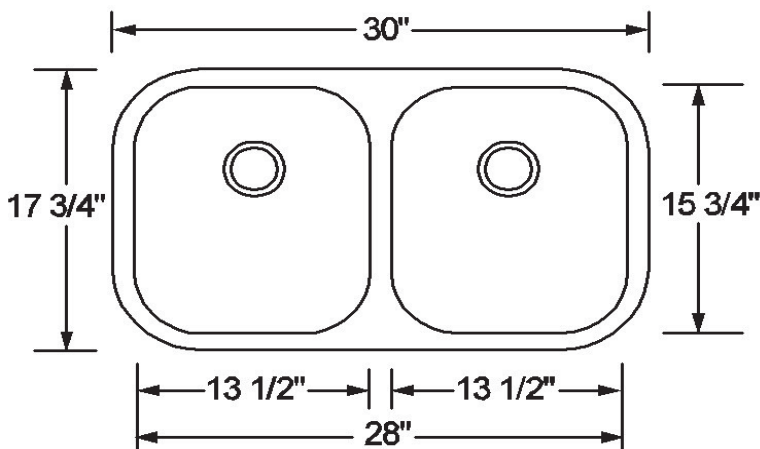
BG16SM Grid
Optional



Sink Strainer
Optional



Stainless Steel Sink Cleaner
Optional



Complies with ASME A112.19.3-2000

Product Specification

The undermount sink shall be 30" in length and 17 3/4" in width. Sink shall be made of 18 gauge stainless steel. Sink shall have brushed finished rim. Sink shall be a double bowl. Sink shall be an Artisan model MH3218-D8/8.